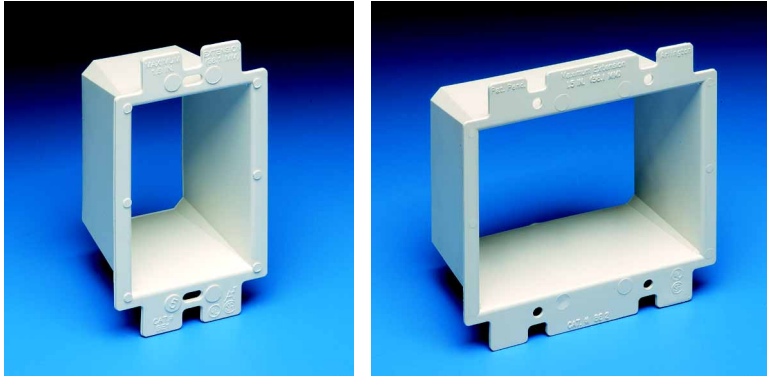


BOX EXTENDER



Problem – Electrical box is set back from storeWALL surface.

Solution – Box extender.

A box extender allows you to bring the electrical device to the new wall surface and reinstall the cover plate.

This extender works in handy boxes, 4" square electrical boxes and with plaster rings for single switches or receptacles.

Functions with all standard devices, switches and GFCIs.

Adjusts up to a 1-1/2" box extension.

For multiple gang boxes: trim off sidewall for each extender where the sidewall would join wiring devices.

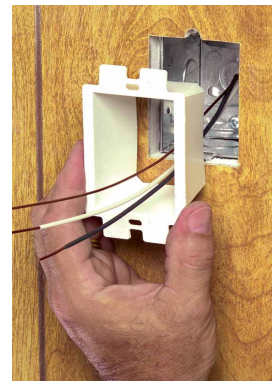
Non-conductive material for safer installation.

Use 6-32 machine screws.

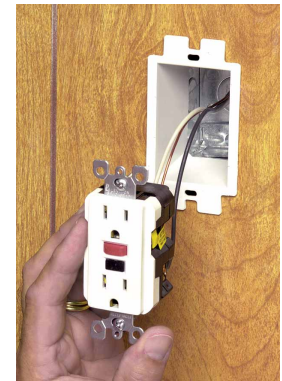
Screws are not included with box extenders.



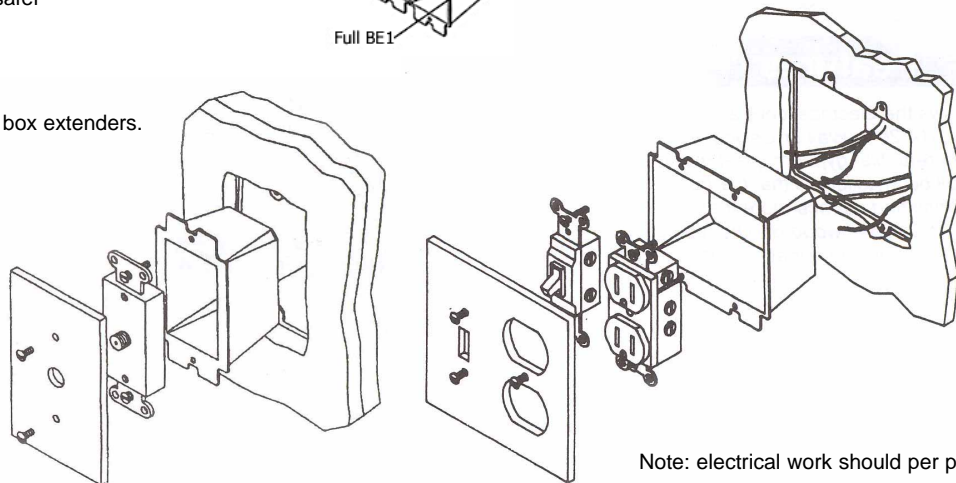
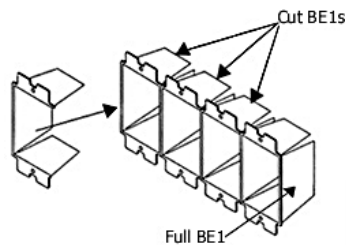
Electrical box is behind the new finished wall surface.



Pass wires through the box extender and attach to receptacle.



(Option) Turn receptacle on side with wires attached and pass through box extender.



Note: electrical work should per performed by a licensed electrician.

See the storeWALL catalog for packaging and price information.