

HEAVY DUTY



Panel Height: 15 inches

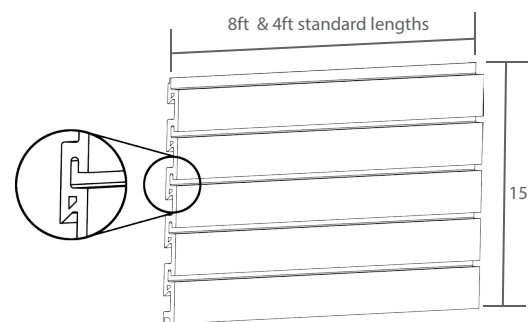
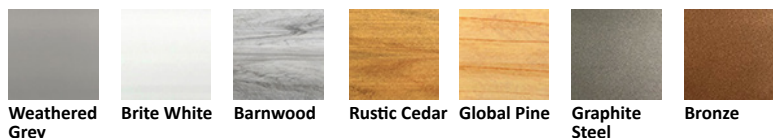
Panel Thickness: 0.70"

Sq. Ft. per 8ft Case: 40ft

Max Holding Capacity: 300 lbs per sq. ft. (with InstallStrips)

Installation Methods: InstallStrips or screws into slot face

Attributes: PVC, moisture resistant, weather resistant & fire rated



Patented backside slotted profile enables the use of HD InstallStrip for quick and easy installation

STANDARD DUTY



Panel Height: 12 inches

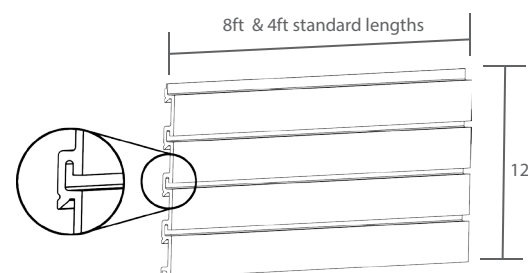
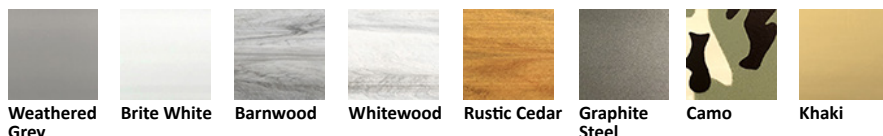
Panel Thickness: 0.66"

Sq. Ft. per 8ft Case: 32ft

Max Holding Capacity: 250 lbs per sq. ft. (with InstallStrips)

Installation Methods: InstallStrips or screws into slot face

Attributes: PVC, moisture resistant, weather resistant & fire rated



Patented backside slotted profile enables the use of SD InstallStrip for quick and easy installation

BASIC DUTY



Panel Height: 12 inches

Panel Thickness: 0.66"

Sq. Ft. per 8ft Case: 32ft

Max Holding Capacity: 75 lbs per sq. ft.

Installation Methods: Screws into slot face

Attributes: PVC, moisture resistant, weather resistant & fire rated

